

Product: Band Stop cavity Filter

Part Number: LSTF-27.5/30-2S



Specification					
No.	Parameter	Minimum	Typical	Maximum	Units
1	Center Freq.		28750		MHz
2	Stop band	27500		30000	MHz
3	Insertion Loss			1.8	dB
4	Rejection	≥35dB			dB
5	VSWR			2.0	
	Band Pass	5000-26500		31000-46500	MHz
6	Power			1w	W cw
7	Operating Temperature Range	-30	-	+50	°C
8	Impedance	-	50	-	Ω
9	Port Connectors	2.92-F			
10	Preferred finish	Black/silver/			

Remarks:

.Power rating is for load vswr better than 1.20:1

Environmental Specifications	
Operational Temperature	-30°C~50°C
Storage Temperature	-50°C~+85°C
Vibration	25gRMS (15 degrees 2KHz) endurance, 1 hour per axis
Humidity	100% RH at 35°C, 95%RH at 40°C
Shock	20G for 11msec half sine wave,3 axis both directions
Mechanical Specifications	
Housing	Aluminum
Connector	stainless steel
Female Contact:	gold plated beryllium bronze
ROHS	compliant
Weight	0.1kg

成都利德尔科技有限公司 Cheng Du Leader Microwave Technology Co.,Ltd

电话: 028-65199117 传真: 028-65199116

<http://www.leader-mw.com> sales@leader-mw.com

TEL: +86-28-65199117 FAX: +86-28-65199116

Add: 中国 成都市成华区华翰路 89 号 610000

No.89,Huahan Road, chenghua Zone Chengdu, Sichuan China Zip Code:610000

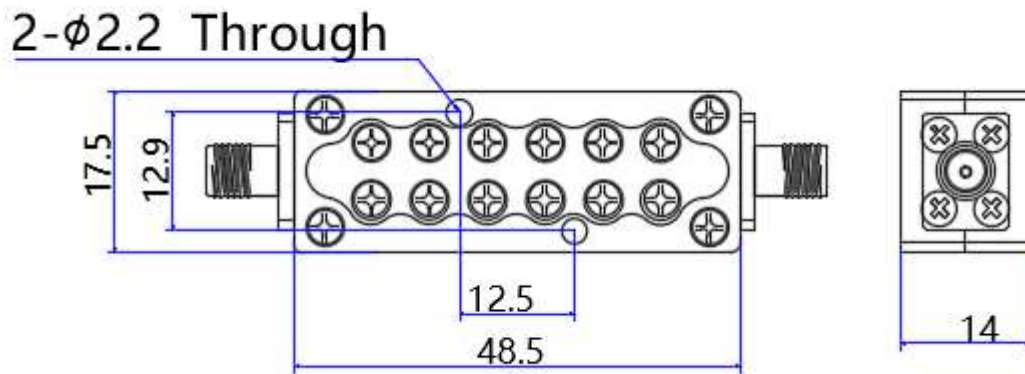
Outline Drawing:

All Dimensions in mm

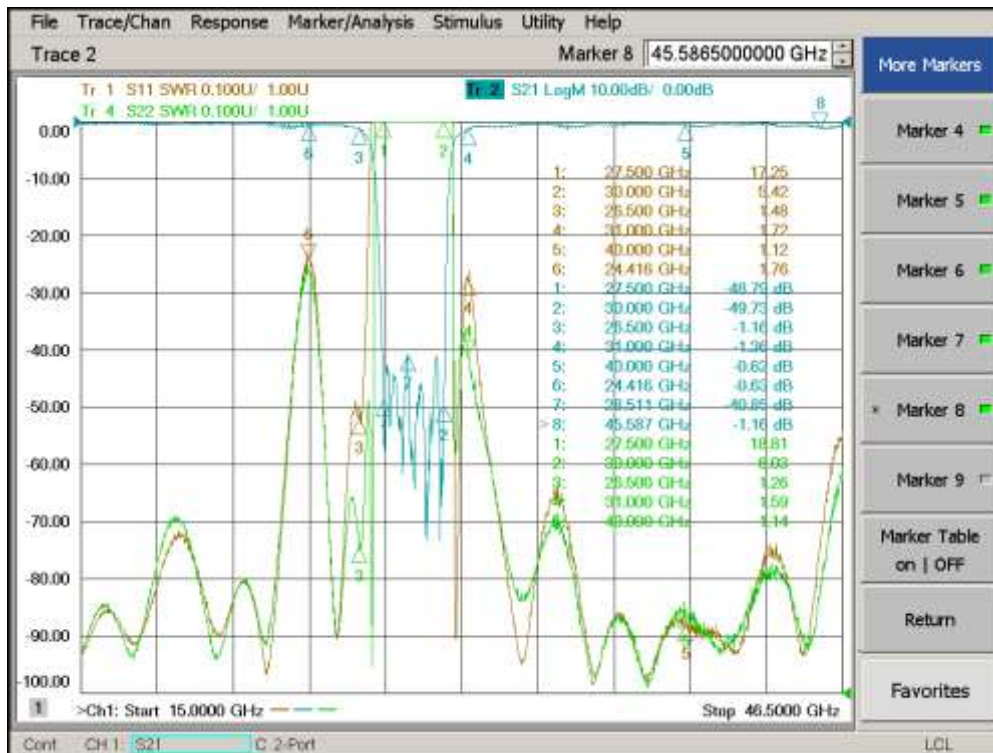
Outline Tolerances $\pm 0.5(0.02)$

Mounting Holes Tolerances $\pm 0.2(0.008)$

All Connectors: 2.92-Female



Test data



成都利德尔科技有限公司 Cheng Du Leader Microwave Technology Co.,Ltd

电话: 028-65199117 传真: 028-65199116

<http://www.leader-mw.com> sales@leader-mw.com

TEL: +86-28-65199117 FAX: +86-28-65199116

Add: 中国 成都市成华区华翰路 89 号 610000

No.89,Huahan Road, chenghua Zone Chengdu, Sichuan China Zip Code:610000